

# PMA Reference Guide

This guide is designed as a reference tool only and not meant to indicate exact substitutions.

## Common conversions

### PMA conduits

NW	PG	Metric	Conduit Size	Conduit ID mm / in	Conduit OD mm / in
07	07	m10	1/4"	6.20 / 0.24	10.00 / 0.39
10	09	m12	3/8"	9.60 / 0.38	13.00 / 0.51
12	11	m16	1/2"	12.00 / 0.47	15.80 / 0.62
17	13.5	m20	1/2"	16.20 / 0.64	21.20 / 0.83
23	21	m25	3/4"	22.60 / 0.89	28.50 / 1.12
29	29	m32	1"	29.00 / 1.14	34.50 / 1.36
36	36	m40	1 1/4"	36.50 / 1.44	42.50 / 1.67
48	48	m50 or m63	1 1/2" or 2"	47.50 / 1.87	54.50 / 2.15



### PMA fittings

Nema vs. IP Rating		Bar vs. PSI		Panel Cut Out Hole Size					
Nema	IP	Bar	PSI	PG	mm / in	Metric	mm / in	NPT	mm / in
12	IP54	1	14.5	07	12.7 / 0.50				
12k	IP54	80	1160	09	15.4 / 0.61	12	12 / 0.47	1/4"	13.9 / 0.55
13	IP54	100	1450	11	18.8 / 0.74	16	16 / 0.63	3/4"	17.4 / 0.69
4	IP66			13.5	20.7 / 0.81	20	20 / 0.79	1/2"	21.6 / 0.85
4x	IP66			16	22.8 / 0.90	20	20 / 0.79	1/2"	21.6 / 0.85
6	IP67			21	28.6 / 1.13	25	25 / 0.98	3/4"	26.9 / 1.06
6p	IP68			29	37.4 / 1.47	32	32 / 1.26	1"	33.7 / 1.33
	IP69K – High pressure wash down (up to 80 bar / 1160psi) from any angle			36	47.5 / 1.87	40	40 / 1.57	1 1/4"	42.4 / 1.67
				48	59.8 / 2.35	50	50 / 1.97	1 1/2"	48.5 / 1.91
						63	63 / 2.48	2"	60.6 / 2.39



### General

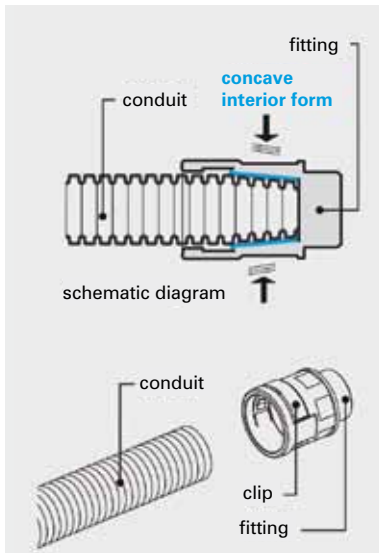
Length		Weight		Temperature	
1 Foot	= 0.305 Meter	1 Pound	= 454 Grams	C	= Degrees Centigrade
1 Meter	= 3.281 Feet	1 Pound	= 0.454 Kilograms	F	= Degrees Fahrenheit
1 Inch	= 25.4 Millimeters	1 Kilogram	= 2.205 Pounds	C	= (F-32)/1.8
1 Millimeter	= 0.039 Inches	1 Gram	= 0.035 Ounces	F	= (Cx1.8)+32
1 Inch	= 2.54 Centimeters	1 Ounce	= 28.349 Grams		
1 Centimeter	= 0.394 Inches				

# PMA Reference Guide

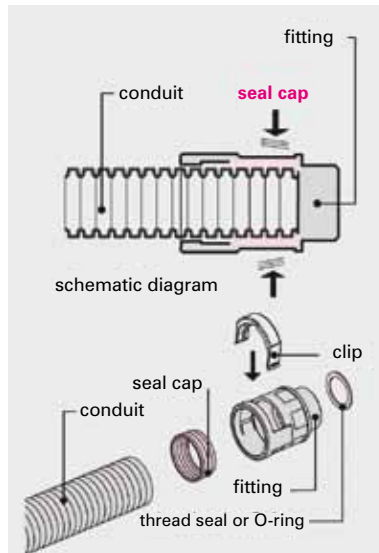
**Assembly instructions** For more information refer to: [www.pma.ch/pma\\_com/downloads/download\\_man.html](http://www.pma.ch/pma_com/downloads/download_man.html)



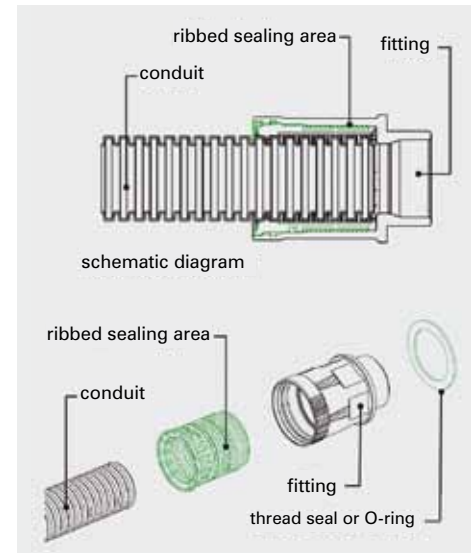
**IP66 (PMAFIX, PMA Smart Line)**



**IP68 (PMAFIX)**



**IP69K (PMAFIX Pro)**



**Application Guide** For more information refer to: [www.pma.ch/pma\\_com/guide.php](http://www.pma.ch/pma_com/guide.php)

## Outdoor Applications

